

# Electric Lifting Operation Table (with a tool tray)

Model: FT-872E

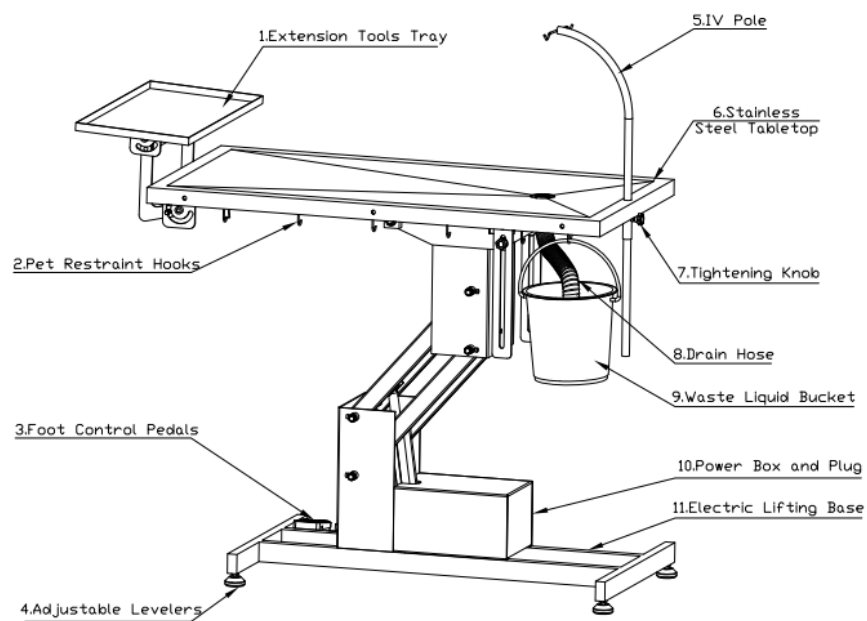


**Economic Lifting  
Operation Table**

**FT-872/872E**

# User Manual

## Overview



1. Extension Tools Tray
2. Pet Restraint Hooks
3. Foot Control Pedals
4. Adjustable Levelers
5. IV Pole
6. Stainless Steel Tabletop
7. Tightening Knob
8. Drain Hose
9. Waste Liquid Bucket
10. Power Box and Plug
11. Electric Lifting Base

## Specification

**Dimension:** L1200\*W600\*H650-1060 (mm) 47-7/16”\*23-13/16”\*25-19/32 -41-47/64”H

**Package:** 125\*65\*65cmH

**Volume: 0.53cbm**

**Rated Voltage:  AC 220V 50Hz**

**Net Weight: 40kg**

**Gross Weight: 43kg**

**Loading Capacity: 100kg (220lbs)**

**Aeolus Electric Lifting Operation Table (with a tool tray) FT-872E**, rock-solid at any adjustable height (650mm -1060mm), features a classical “Z” shaped design that eliminates wobbling and tipping, a powerful and durable electric lifting actuator that holds up to 100kg, a stainless steel tabletop with diagonal embossing structure that diverts liquid waste efficiently, a smart designed metal base with scratch-resistant white powder coating that offers secure stability of operation and durable product wear, a IV pole to hang the transfusion bag, a drainage system on the tabletop to collect waste liquid into a bucket, an extension tray which could used either for extending the tabletop length or providing tools organizing space.

## Package Inspection

The manufacturer is not liable for any damage caused by a third party "Transport or Delivery Company".

The day the unit is delivered, an inspection of the outer packing should be made for any damage to the packing box.

Then the unit should be unpacked carefully; all components, accessories and the table itself should be inspected for any damage or loss.

If any damage is evident, the carrier or dealer should be notified immediately.

## Safety Warnings

1. Use only as described in this manual. Use only manufacturer's recommended attachments.
2. DO NOT leave the appliance plugged in when not in use. Unplug from outlet when not in use and before servicing.
3. To reduce the risk of fire, or electric shock – DO NOT use outdoors or on wet surfaces. DO NOT place the product on an uneven or soft ground.
4. This product is not intended for use by persons (including children) with reduced physical, sensory or mental capabilities, or lack of experience and knowledge, unless they have been given supervision or instruction concerning use of the product by a person responsible for their safety.

Children should be supervised to ensure that they do not play with the product.

5. DO NOT use with damaged cord or plug.
6. DO NOT cut, damage, or modify the cord. DO NOT pull or carry by cord, use cord as a handle, close door on cord, or pull cord around sharp edges or corners. DO NOT pull, twist, or bend the cord with unnecessary force. DO NOT run the product over cord. Keep cord

away from heated surfaces. DO NOT place heavy objects on the cord or allow the cord to get pinched in between objects. DO NOT wind the cord around the product.

7. DO NOT unplug by pulling on cord. To unplug, grasp the plug, not the cord.
8. DO NOT handle plug or the product with wet hands.
9. Turn off all controls before unplugging.
10. DO NOT use the product near flammable or combustible liquids such as gasoline or use in areas where they may be present. The fumes from these substances can create a fire hazard or explosion.
11. DO NOT modify, disassemble or repair without guidance of professionals.
12. Make sure the local voltage and frequency of the power meet the requirements on the label of the product.
13. Avoid using the product in dusty, vibrating and wet environment and in chemical storage place.

## Assembly Instructions

1. Connect and fix the drain hose to the drainage lower tube by using the stainless steel clip provided.
2. Attach the IV pole by inserting into the fixture tube and tighten it with the plastic knob when necessary.
3. Hang the waste liquid bucket on the hook under the tabletop and put the end of the drain hose in the bucket.
4. Plug the table to suitable power point/receptacle; adjust the height by pressing the up/down foot pedal.

## Operation instructions

1. Plug in.
2. Step on the up/down foot pedals to adjust the height of the table as needed. (See Figure 1)



Figure 1

3. Insert the IV pole in the mounting hole at the edge of the tabletop. Use tightening knob to fix it.
4. Fix the extension tools tray at the end of the tabletop.
5. Clean and disinfect the tabletop.
6. Put the animal on the tabletop and start working on it.
7. After works completed, remove the animal, unplug the table, clean and disinfect the tabletop.

## Maintenance

In between usages, the table should be cleaned and sterilized thoroughly.  
The moving part of the table should be often lubricated to ensure the smoothness of the movement.

## Service Support

Contact us if you cannot solve your problem with this manual.

### Dallas

11307 Indian Trail, Dallas, Texas 75229, USA.

Tel: +1 469 930 6359

Web:  [www.aeoluspet.com](http://www.aeoluspet.com)

### Sydney

147 Dwyer Road, Leppington NSW 2179, Australia

Tel: +61 2 9606 4520

### Singapore

150 South Bridge Road, Singapore 058727

Tel: + 65-6533 6524 / 9633 2734

### Shanghai

Floor 5, Building 6, No. 675, Zhujin Road, Songjiang District, Shanghai, China.

Tel: +86-21-67632060, 67632364